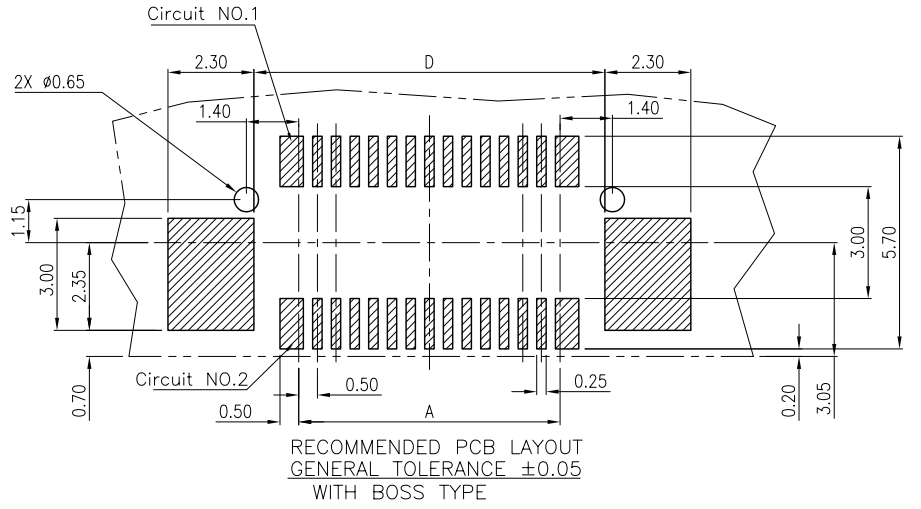
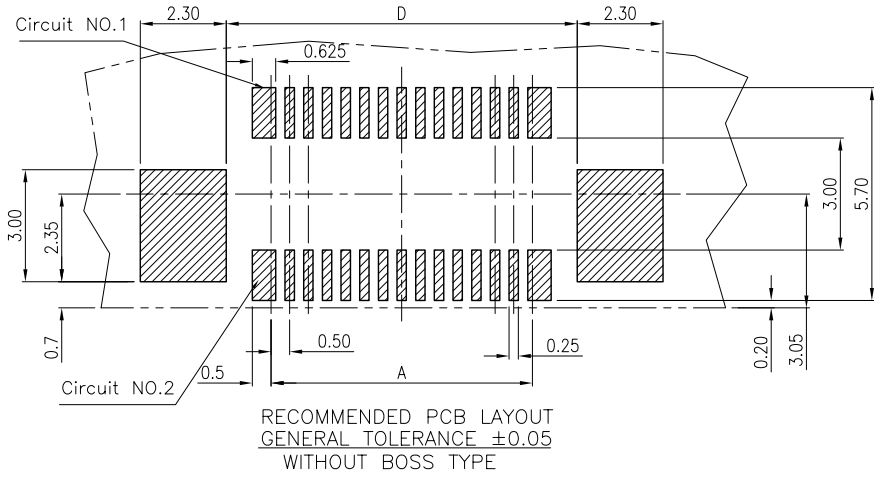




A B C D E F



RECOMMENDED PCB LAYOUT
GENERAL TOLERANCE ± 0.05
WITHOUT BOSS TYPE

RECOMMENDED PCB LAYOUT
GENERAL TOLERANCE ± 0.05
WITH BOSS TYPE

NOTES:

- MATERIAL:
HOUSING: HIGH TEMP THERMO PLASTIC,
UL94V-0.
TERMINAL: COPPER ALLOY
FITTING NAIL: COPPER ALLOY
- PLATING:
PLS SEE ACES P/N PLATING CODE
- THIS SPECIFICATION PLS. REFER TO:
PS-50039-XXXXX-XXX
- THIS PACKING PLS. REFER TO:
88388-XXXX-TRP
- PART NUMBER

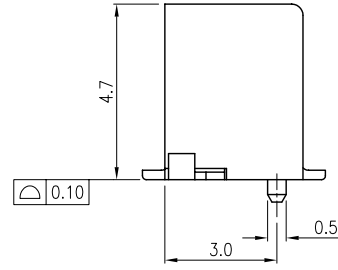
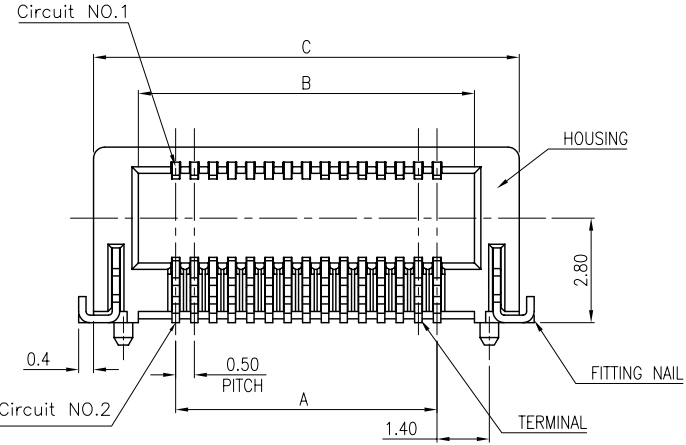
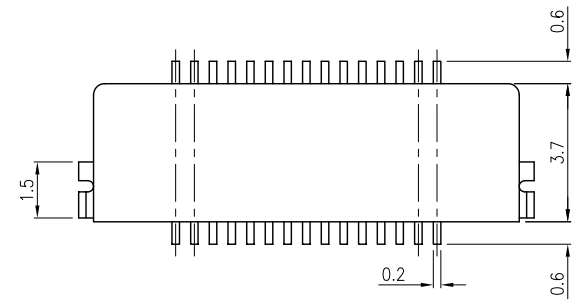
50039-XXX X X-XXX

NO OF CKT
PACKING
0: TAPE REEL
1: TUBE PACKAGE

| XXX | Housing Color | Halogen Free | Polarization |
|-----|---------------|--------------|--------------|
| 001 | Black | HF | with boss |
| 002 | Black | HF | without boss |

PLATING
1: GOLD FLASH OVER ALL
N: MATT TIN

| CKT | Dim A | Dim B | Dim C | Dim D |
|-----|-------|-------|-------|-------|
| 10 | 2.0 | 4.0 | 6.4 | 4.4 |
| 20 | 4.5 | 6.5 | 8.9 | 6.9 |
| 30 | 7.0 | 9.0 | 11.4 | 9.4 |
| 40 | 9.5 | 11.5 | 13.9 | 11.9 |
| 50 | 12.0 | 14.0 | 16.4 | 14.4 |
| 60 | 14.5 | 16.5 | 18.9 | 16.9 |
| 70 | 17.0 | 19.0 | 21.4 | 19.4 |
| 80 | 19.5 | 21.5 | 23.9 | 21.9 |
| 100 | 24.5 | 26.5 | 28.9 | 26.9 |
| 120 | 29.5 | 31.5 | 33.9 | 31.9 |
| 160 | 39.5 | 41.5 | 43.9 | 41.9 |



| REV | REVISION DESCRIPTION | DATE | SIGNATURE |
|-----|----------------------|----------|-----------|
| 0 | NEW DRAWING | 08/10/10 | Even |

一般公差
TOLERANCES
X ± 0.5 XX ± 0.15
X ± 0.25 XXX ± 0.1
ANGLES $\pm 2^\circ$

檢驗尺寸標示
SYMBOLS \odot \ominus INDICATE CLASSIFICATION DIMENSION
 \otimes MARK IS CRITICAL DIM.
 $\omin�$ MARK IS MAJOR DIM.

表面處理 (FINISH)

宏致電子股份有限公司
Aces Electronic Co., Ltd.

品名 (TITLE)
0.5mm BTB PLUG
SMT R/A D/R TYPE

圖號 (DWG.NO)
50039-XXXXX-XXX

製圖 (DR)
08/10/10
Even

審核 (CHKD)
WGCH

核准 (APPD)
JASON

比例 (SCALE) 單位 (UNITS)
6:1 mm

張數 (SHEET) 1 OF 1
SIZE A4
REV 0

1

2

3

4

5

1

2

3

4

5

A B C D E F